

UCB Fiber Optic Splice Closure



Protect and Store Splices Reliably in your Optical Network

Product Description

The UCB Fiber Optic Splice Closure is a general purpose fiber optic splice closure. The closure is a sealed aluminum housing and may be encapsulated within an outer closure for maximum water and corrosion resistance. The design provides for triple water blocking of cables by means of grommets on the cable sheath, grommets on the core tubes, and encapsulant between the closures. The closure will accept four (4) outside plant or building cables in an in-line splice configuration for end sheath or mid-sheath entry. Multi-range grommet and grip kits seal loose tube or unit tube type cables to the housing. The closure will accommodate up to eight splice organizers for a total of 192 single fiber fusion/mechanical splices or a total of 288 fiber splices using mass splicing.

UCB Type Splice Closures are available in four custom configurations. Accessory kits are available to handle a wide range of applications in any desired combination of cables and splices. Refer to the product ordering information for detailed ordering information.

The UCB1 Splice Closure is the base closure kit including the cover, cable clamps, base, cover-to-base seal, and threaded assembly hardware. It is provided without splice organizers, grommet & grip kits, unit splitters, or bonding hardware.

The UCB2 Splice Closure includes the base closure kit, as well as all components necessary to complete a 48 single fiber splice. The cable seals and grip blocks accept cables from 0.40 inches (10.2mm) to 0.96 inches (24.4mm) outside diameter.

The UCB2 Closure includes two splice organizers, each of which accepts 24 fusion/mechanical splices per organizer. Bonding hardware is provided for two metallic cables.

The UCB3 Splice Closure includes the base closure kit, as well as all components necessary to complete a 72 single fiber fusion splice in unit tube cables. The cable seals and grip blocks accept unit tube cables from 0.40 inches (10.2mm) to 0.96 inches (24.4mm) outside diameter. The UCB3 Closure includes three splice organizers, each of which accepts 24 fusion splices per organizer. Bonding hardware is provided for two metallic unit tube cables.

The UCB6 Splice Closure includes the base closure kit, as well as all components necessary to complete a 288 fiber mass fusion splice or a 240 fiber mass mechanical splice in unit tube cables. The cable seals and grip blocks accept unit tube cables from 0.40 inches (10.2mm) to 0.96 inches (24.4mm) outside diameter. The UCB6 Closure includes a splice organizer for mass splices, with the organizer assembly holding 24 mass fusion splices or 20 mass mechanical splices. Bonding hardware is provided for two metallic unit tube cables.

The UCB Type Splice Closure measures approximately 23 inches (58 cm) in length, 5 inches (12.7 cm) in height, and 6 inches (15.3 cm) in width. The unassembled UCB Splice Closure weighs approximately 7 pounds (3.2 kgs).



UCB Fiber Optic Splice Closure

Benefits

- Capable of accepting outside plant or building cables with either metallic or non-metallic strength members.
- Cables are sealed in the closure without the use of tapes or heating apparatus.
- Capable of up to 72 single fiber fusion splices or 288 fiber mass fusion splices.
- Closure is re-enterable requiring no specialized tools.
- The UCB closure may be encapsulated within an outer closure for maximum water and corrosion resistance.
- Provides for triple water blocking.

Applications

- Cable vaults, buildings, and non-corrosive aerial applications (does not require outer protection).
- Underground, buried, and handhole (requires outer closure cover).

Features

- Installs easily and is compact
- Available in four custom configurations.
- Accessory kits are available to handle a wide range of applications in any desired combination of cables and splices.
- Accepts up to four fiber optic cables with an outside diameter ranging from 0.2 to 0.96 inches (5.1 to 24.4 mm)
- Accommodates the storage of up to 192 individual fusion splices.
- Accommodates up to 240 mass mechanical splices or 288 mass fusion splices.
- Separate grommet and grip kits are available for adding more cables to existing closures.

Value Statement

The UCB Fiber Optic Splice Closure is ready to go to work for you in all your fiber environments. Its robust construction helps ensure high performance and reliability. With the UCB Fiber Optic Splice Closure, OFS has provided a product that is easy to handle and install. OFS - providing high-quality products for high performance fiber optic networks.

Specifications - Physical Dimensions

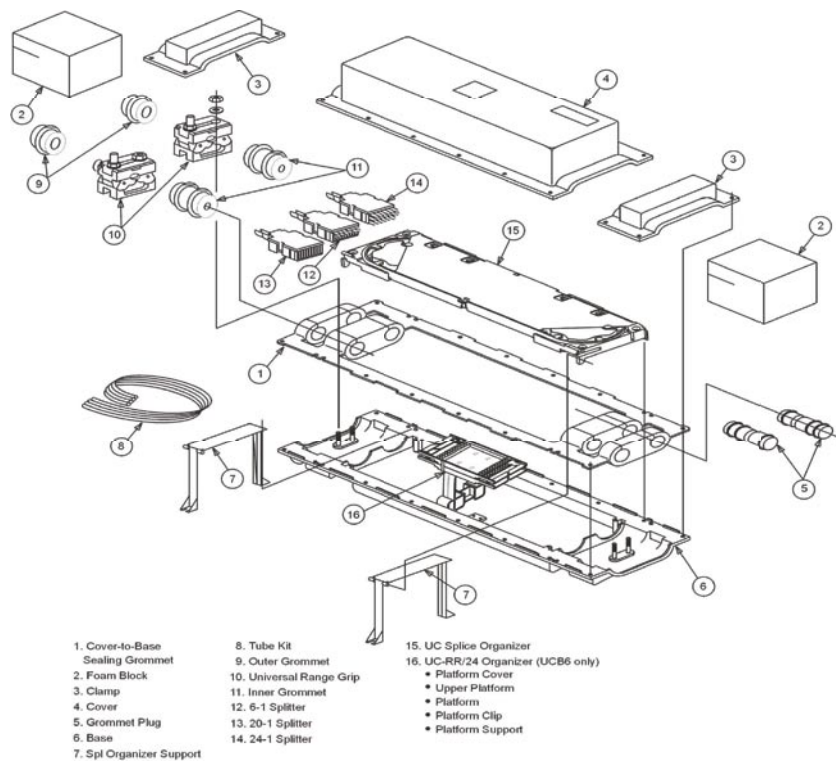
Length	Height	Width	Weight
23 inches (58 cm)	5 inches (12.7 cm)	6 inches (15.3 cm)	7 lbs (3.2 kg)

Specifications - Closure Capabilities

Application	Cable Entrances	Cable OD (inches)	Cable OD (mm)	Individual Fusion Splice Capabilities	Mass Fusion Splice Capabilities	Individual Mechanical Splice Capabilities	Mass Mechanical Splice Capabilities
Aerial, Vault, Building Underground, Buried, Manhole	4	0.2 - 0.96	5.1 - 24.4	192 (max)	288 (max)	192 (max)	240 (max)

Specifications - Splice Storage Capacities

Splice Type	Holder Type	Max # of Splices per Holder	# of Holders per Closure	Total Fiber Splices per Closure
Discrete Fusion				
UCB1	24-Splice	24	8 (max)	192 (max)
UCB2	24-Splice	24	2	48
UCB3	24-Splice	24	3	72
UCB6	-	-	-	-
Discrete Mechanical				
UCB1	24-Splice	24	8 (max)	192 (max)
UCB2	24-Splice	24	2	48
UCB3	24-Splice	24	3	72
UCB6	-	-	-	-
Mass Fusion				
UCB1	36-Mass Splices	36	8 (max)	288 (max)
UCB2	-	-	-	-
UCB3	-	-	-	-
UCB6	24-Mass Splices	288	1	288
Mass Mechanical				
UCB1	-	-	-	-
UCB2	-	-	-	-
UCB3	-	-	-	-
UCB6	20-Mass Splices	240	1	240



toa648452-01

UCB Fiber Optic Splice Closure (exploded view)

Ordering Information

Closure Kits

Product	Description	Comcode
UCB Splice Closure	Closure base Kit (No organizers, grommet and grip kits, bonding hardware or unit splitters).	103 921 946CT
UCB2 Splice Closure	Includes all components to splice two cables from 0.40-0.96 inches (10.2-24.4 mm) outer diameter, up to 48 single fiber splices.	106 896 699CT
UCB3 Splice Closure	Includes all components to splice two unit tube cables from 0.40-0.96 inches (10.2-24.4 mm) outer diameter, up to 72 single fiber fusion splices.	107 163 263CT
UCB6 Splice Closure	Includes all components to splice two unit tube cables from 0.40-0.96 inches (10.2-24.4 mm) outer diameter, up to 20 mass fusion splices or up to 24 mass mechanical splices.	108 119 850CT

Grommet and Grip kits

Product	Description	Comcode
UC-2040	Grommet and grip kit for all unit tube cables from 0.2-0.4 inch (5.1-10.2 mm) outer diameter.	107 213 878CT
UC-4096	Grommet and grip kit for all outside plant cables from 0.4-0.96 inch (10.2-24.4 mm) outer diameter	106 954 449CT
UC-4096UT	Grommet and grip kit for all unit tube cables from 0.4-0.96 inch (10.2-24.4 mm) outer diameter.	107 705 410CT
UC-HE	Grommet and grip kit for all unit tube cables from 0.6-0.8 inch (15.2-20.3mm) outer diameter	107 038 135CT
LGBC-12/6	Grommet and grip kit for all building cables from 0.28-0.31 inch (7.1-7.9 mm) outer diameter.	106 072 911CT

Splice Organizers

Product	Description	Comcode
UC-SS/FM	Universal single fiber splice organizer to store up to 24 fusion or 24 mechanical splices or 18 rotary/mechanical splices.	106 954 480CT
UC-SS/F1	Single fiber fusion splice organizer to store up to 24 splices per tray, package of 3 trays.	104 325 063CT
UC-RR/24	Universal ribbon fiber splice organizer to store up to 24 mass fusion (288 total fibers) splices or 20 (240 total fibers) mass mechanical splices.	106 017 304CT

Closure Accessory kits		
Product	Description	Comcode
CSM Kit	Central strength member tie-down kit for loose tube cables	107 010 290CT
Cover-To-Base-Gasket	Replacement sealing gasket	845 628 775CT
Fiber Tubing	White PVC tubing, 25 foot coil, for routing and protecting fibers.	106 298 250CT
Fiber Tubing	25 bags of colored tubing, each containing 2 pieces of eight different colors 32 inches long, for routing and protecting fibers.	108 064 270CT
B-Sealant	Sealant, 3 ounce tube, for replacement use.	400 404 811CT
D-182279 Slack Fiber Storage Kit	Self adhesive, die-cut foam inserts for protection of express fibers stored in the base of the closure, package of five.	106 242 282CT
Closure Support Bar	One inch diameter X 42 inch long galvanized bar to mount UCB closure.	107 476 772CT
153A Strand Hanger	Pair of aerial strand hangers for the UCB Closure or the UCB Closure Cover.	106 301 765CT
B Bond Clamp	#2 size B bond clamp for bonding around closure on oversheath cable	400 366 332CT
D-182663 Unit Splitter	Universal splitter kit for blocking and organizing all Lightpack and Ribbon cables. Kit includes 6-1 and 20-1/24-1 splitters with adapters for multiple core tube sizes.	106 847 254CT
D-181683 Unit Splitter	8-1 splitter for blocking and organizing fibers in Lightpack cables with .31 inch diameter core tubes.	105 277 792CT
D-181781 Unit Splitter	6-1 splitter for blocking and organizing fibers in Lightpack cables with .24 inch diameter core tubes.	105 342 463CT
D-182806 Unit Splitter	6-1 splitter for blocking and organizing fibers in Lightpack cables with .16-.20 inch diameter core tubes.	107 151 706CT
D-181267 Blocking Tubes	Flexible tubing to block .24 inch and .31 inch diameter core tubes to prevent dripping of filling compound.	103 932 695CT
Cable Blocking Kit Bulk Pack	Replacement loose tube cable blocking kits for replacement use with UC-4096 grommet and Grip kit, 25 packages	107 242 703CT

Outer Closure Options		
Product	Description	Comcode
UCB Closure Cover	Outer closure for corrosion protection in outside plant, no grommets required. Requires 3500 grams of encapsulant.	107 127 664CT
D-182823 Re-entry Kit	Re-entry kit for UCB Closure Cover	107 227 944CT
153A Strand Hanger	Pair of aerial strand hangers for the UCB Closure or the UCB Closure Cover	106 301 765CT
51D3-LG2 Outer Closure	Outer closure protection for outside plant, contains 2 blank grommets. Order cable grommets below. Requires 10,000 grams of encapsulant.	103 921 938CT
D182121 Re-entry Kit	Re-entry kit for 51D3-LG2 Outer Closure.	104 228 424CT
54A Strand Hanger	Pair of aerial strand hangers for the 51D3-LG2 Outer closure	103 118 865CT

Outer Closure Grommets		
Product	Description	Comcode
UC-41	Grommet, one per kit, 0.41-0.44 inches (10.4-11.2 mm).	104 145 560CT
UC-48	Grommet, one per kit, 0.45-0.52 inches (11.4-13.2 mm).	104 145 537CT
UC-55	Grommet, one per kit, 0.53-0.58 inches (13.5-14.7mm).	104 146 576CT
UC-59	Grommet, one per kit, 0.59-0.62 inches (15.0-15.7 mm).	105 348 080CT
UC-65	Grommet, one per kit, 0.63-0.69 inches (16.0-17.5 mm).	104 145 545CT
UC-75	Grommet, one per kit, 0.75-0.79 inches (19.0-20.0 mm).	104 145 552CT
UC-82	Grommet, one per kit, 0.80-0.86 inches (20.3-21.8 mm).	104 146 592CT
UC-98	Grommet, one per kit, 0.95-0.98 inches (24.1-24.9 mm).	104 146 618CT